

## RD Series

**RDE / RDER**Electronic earth leakage relay  
(with TD Series external transformer)**Description**

- Electronic earth leakage protection relay, used to connect the transformers of the **TD Series**
- These electronic relays offer a high reliability, with the option of a fixed or adjustable sensitivity and delay
- Monitoring of the true root mean square (TRMS)
- Assembly on DIN rail 46277 (EN 50022)
- Reduced size, with 2 modules
- LED status indicator:
  - Permanently lit leak LED: Tripped relay.
  - Flashing "Power" LED and lit leak LED: Detection of a continuity fault in the transformer.
  - Flashing leak indicator LED (only **RDER**): Leak with a value that is lower than the value selected.

**Application**

The relays of the **RD** series and the transformer of the **TD** series enable a full earth leakage protection for both single and three-phase lines.

**Features**

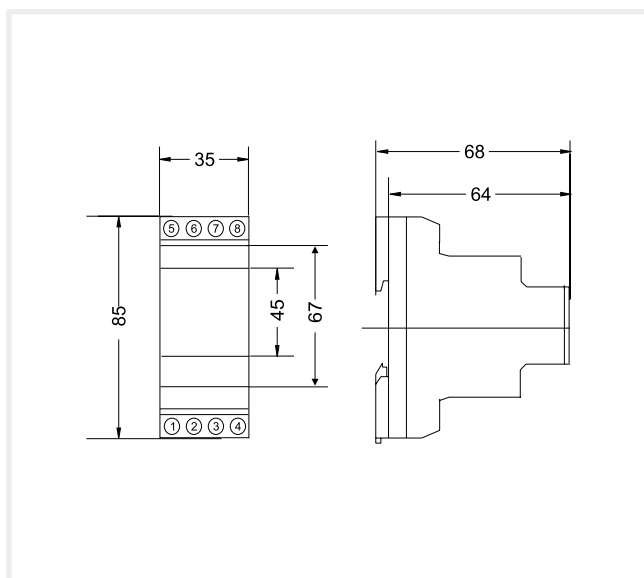
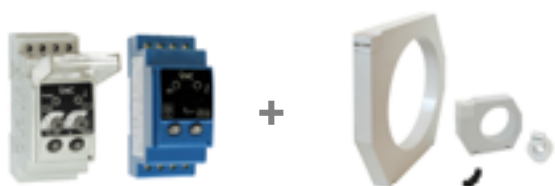
|                                 |   |
|---------------------------------|---|
| <b>Protection</b>               |   |
| Class                           | A immunised   |
| Measurement                     | True root mean square (TRMS)  |
| Sensitivity                     | 30 mA ( <b>RDE-030</b> ) / 300 mA ( <b>RDE-300</b> )<br>0.03 ... 3 A ( <b>RDER</b> )  |
| Delay                           | 20 ms ( <b>RDE</b> ) / 20 ms... 1s ( <b>RDER</b> )  |
| Earth leakage transformer       | External, Transformers <b>TD</b>  |
| Test and Reset                  | With built-in buttons, T & R  |
| Remote Control                  | External Test Option  |
| Associated circuit breaker      | Contact or Circuit breaker + trigger coil   |
| LED indicator                   | <ul style="list-style-type: none"> <li>Power supply voltage</li> <li>Trip due to leakage</li> <li>Disconnection of the external transformer</li> <li>Pre-alarm (<b>RDER</b>)</li> </ul> |
| Circuit breaker control         | Through an NO/NC switched relay, depending on the connection with the circuit breaker   |
| Remote Control                  | External Test Option  |
| <b>Features</b>                 |   |
| Auxiliary power supply          | 230 Vac (± 20 %) 50 / 60 Hz   |
| Output contacts                 | 250 Vac, 6 A  |
| Operating temperature           | -10 ... +50 °C  |
| <b>Construction features</b>    |   |
| Fixing                          | DIN Rail 46277 (EN 50022)   |
| Dimensions                      | 2 modules   |
| Weight                          | 163 g   |
| Degree of protection            | IP 20 Terminals, IP 41 back panel   |
| <b>Standards</b>                |   |
| IEC 61008-1, IEC 755, IEC 255-5 |   |

RD Series

**RDE / RDER**

Electronic earth leakage relay  
(with TD Series external transformer)

Dimensions



References

| Size      | Indicator | $I_n$ (A)  | Delay        | Type    | Code   |
|-----------|-----------|------------|--------------|---------|--------|
| 2 modules | LED       | 0,03       | 0.02 s       | RDE-030 | RDE030 |
| 2 modules | LED       | 0,3        | 0.02 s       | RDE-300 | RDE300 |
| 2 modules | LED       | 0,03 ... 3 | 0.02 ... 1 s | RDER    | RDER   |

Connections

